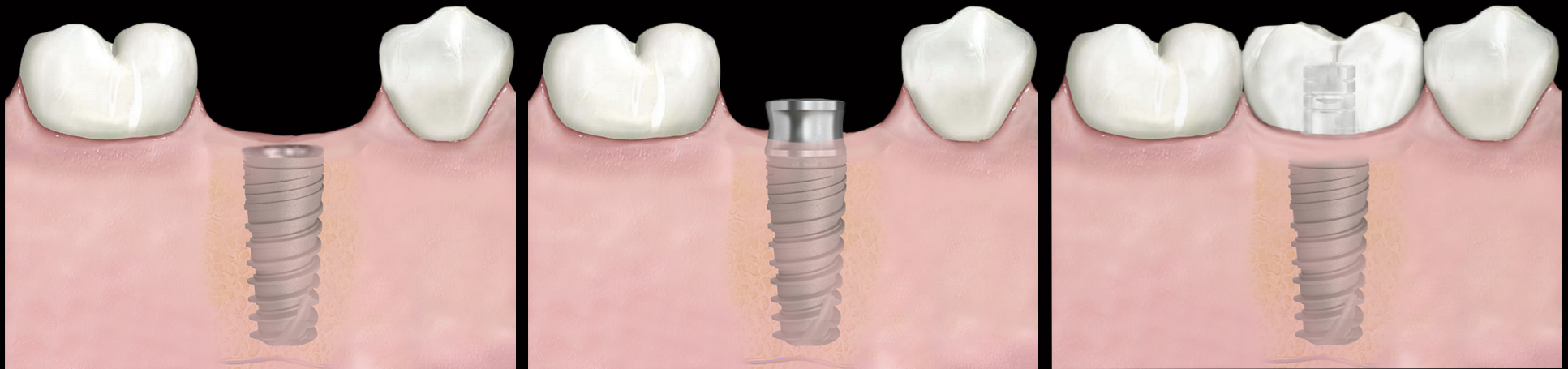


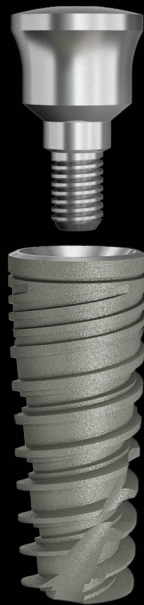
DENTAL IMPLANTS



MPI™ MOLECULAR PRECISION IMPLANTS TREATMENT OPTIONS



2-STAGE SURGERY

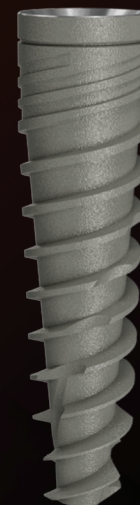
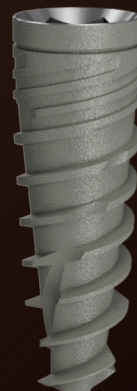
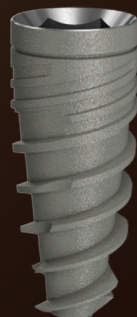
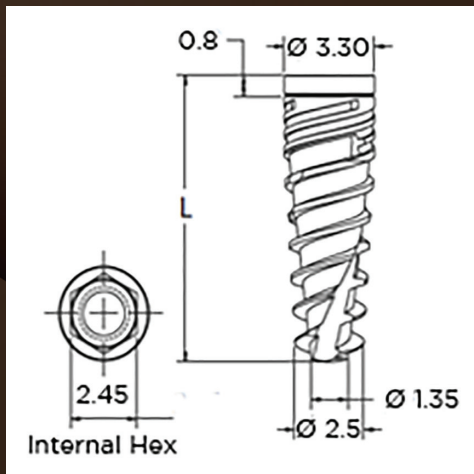


1-STAGE SURGERY



IMMEDIATE LOAD

MPI™ MOLECULAR PRECISION IMPLANTS



$\text{Ø } 3.3 \text{ mm}$

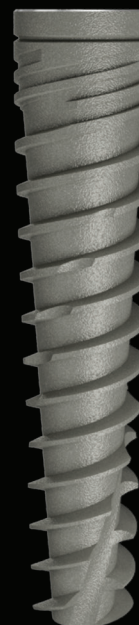
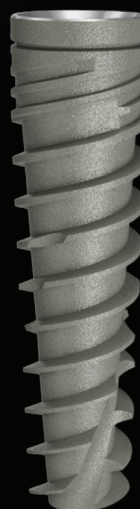
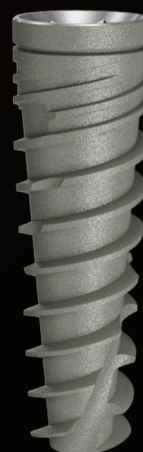
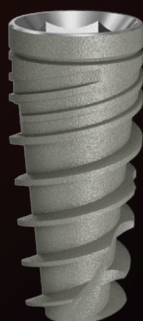
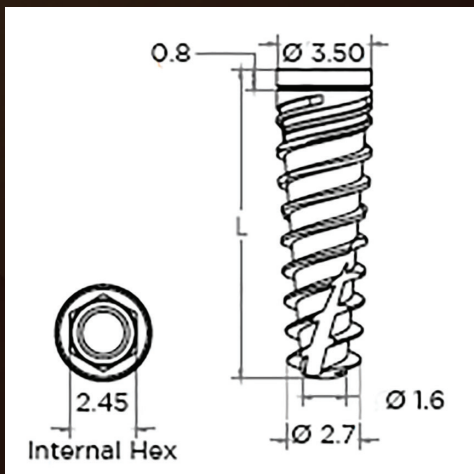
MPI-08330

MPI-10330

MPI-11330

MPI-13330

MPI-16330



$\text{Ø } 3.5 \text{ mm}$

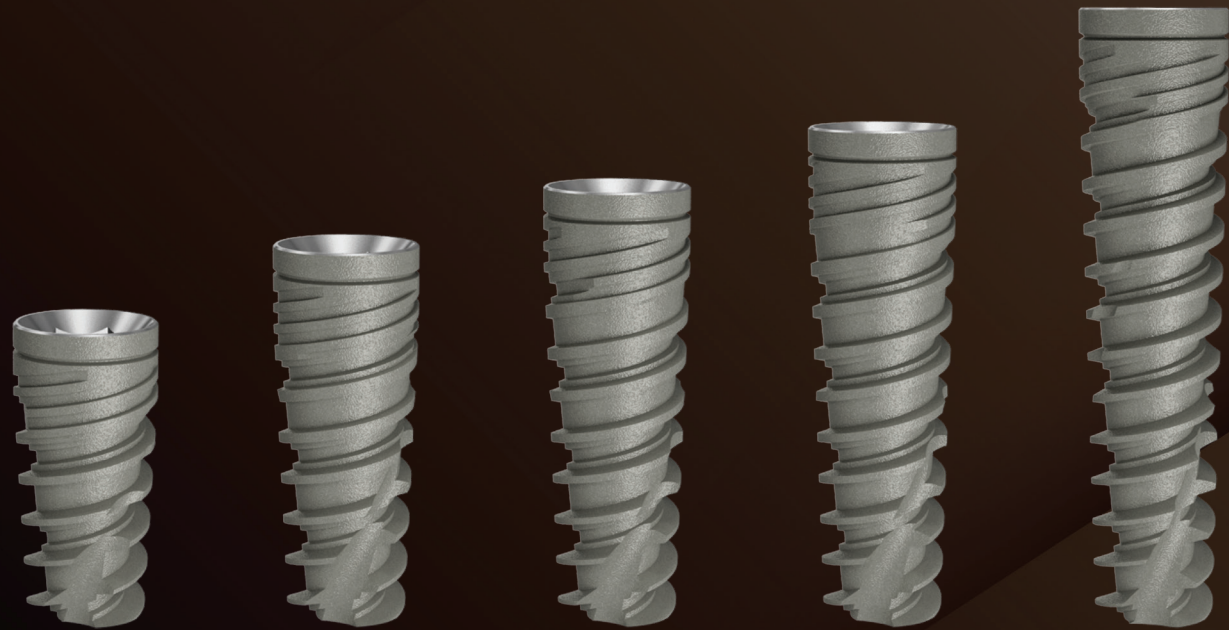
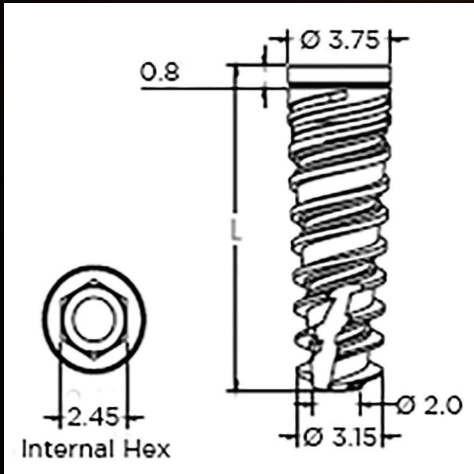
MPI-08350

MPI-10350

MPI-11350

MPI-13350

MPI-16350



$\text{Ø } 3.75$ mm

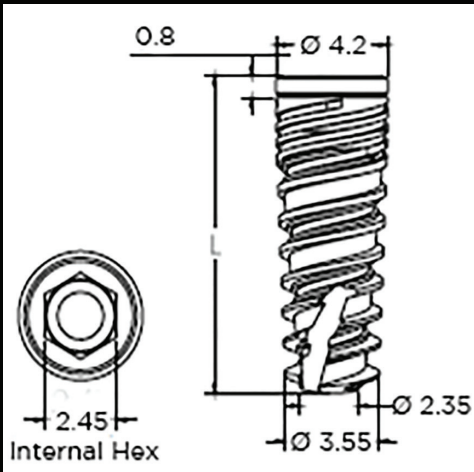
MPI-08375

MPI-10375

MPI-11375

MPI-13375

MPI-16375



$\text{Ø } 4.2$ mm

MPI-06420

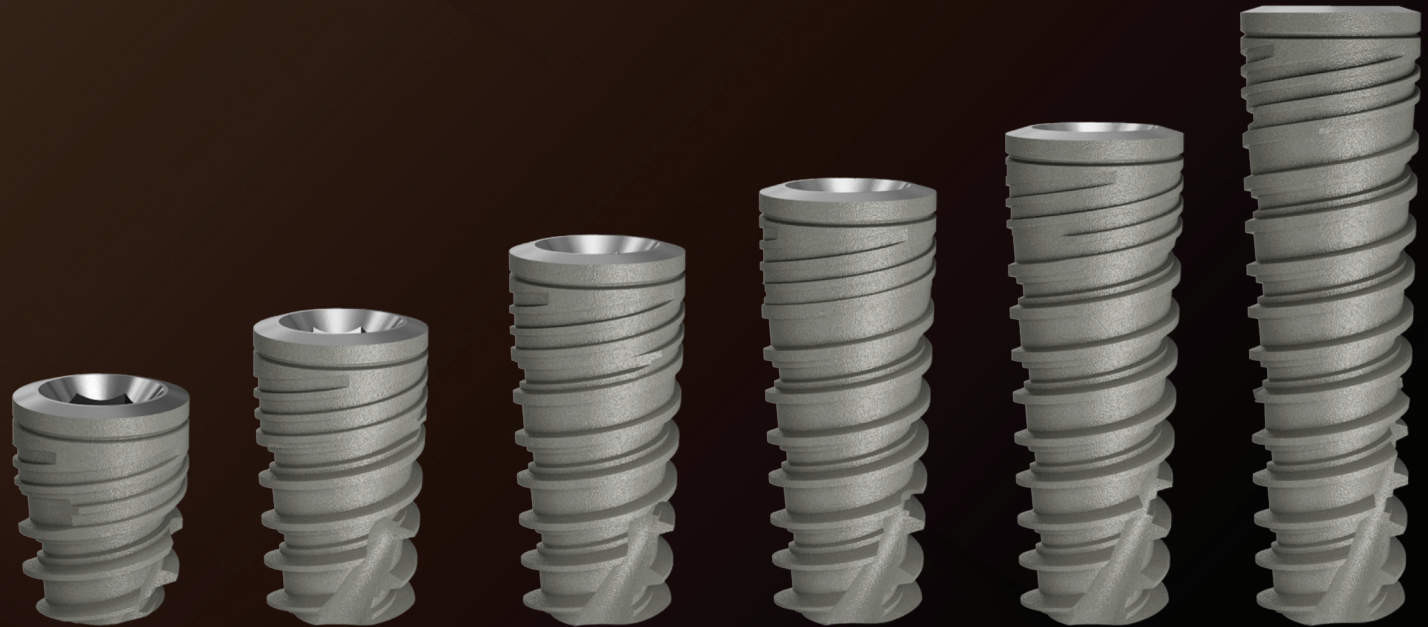
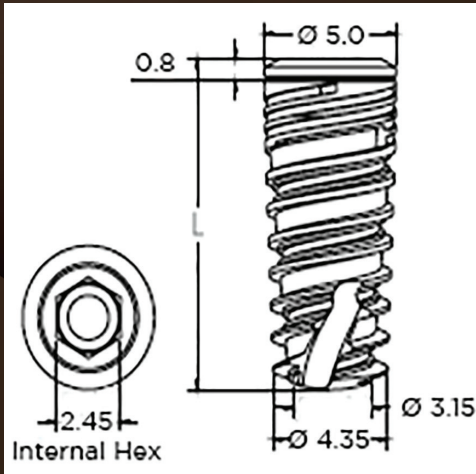
MPI-08420

MPI-10420

MPI-11420

MPI-13420

MPI-16420



Ø 5.0 mm

MPI-06500

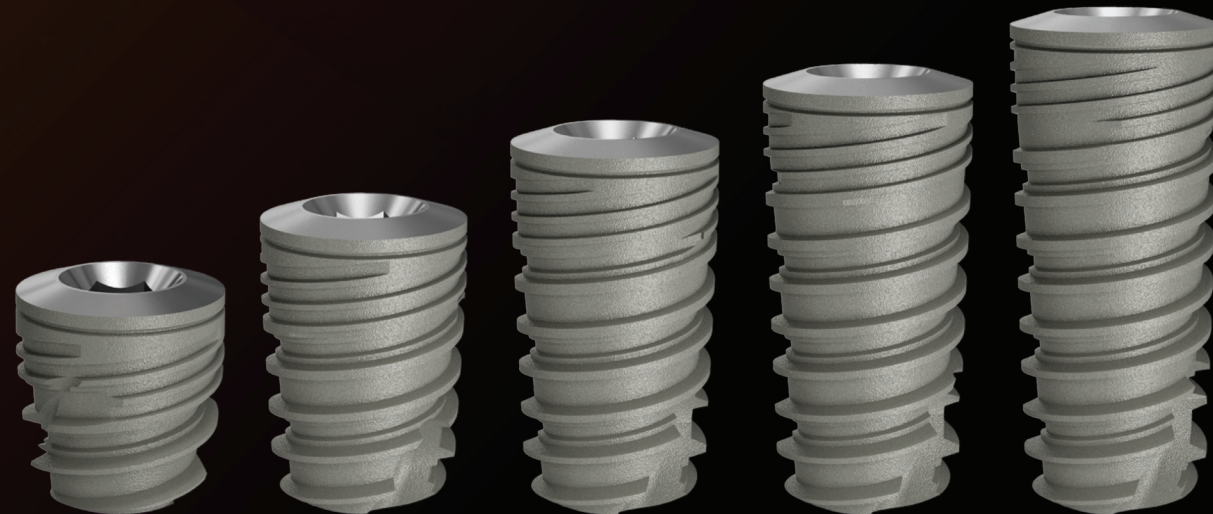
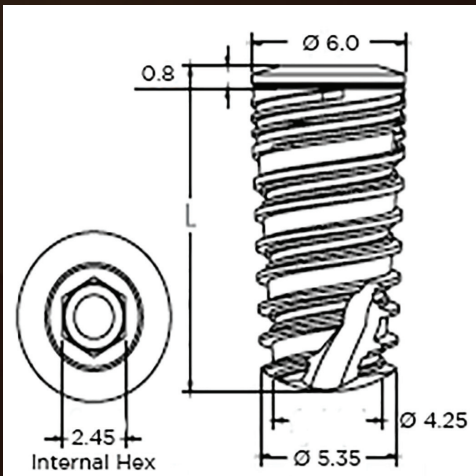
MPI-08500

MPI-10500

MPI-11500

MPI-13500

MPI-16500



Ø 6.0 mm

MPI-06600

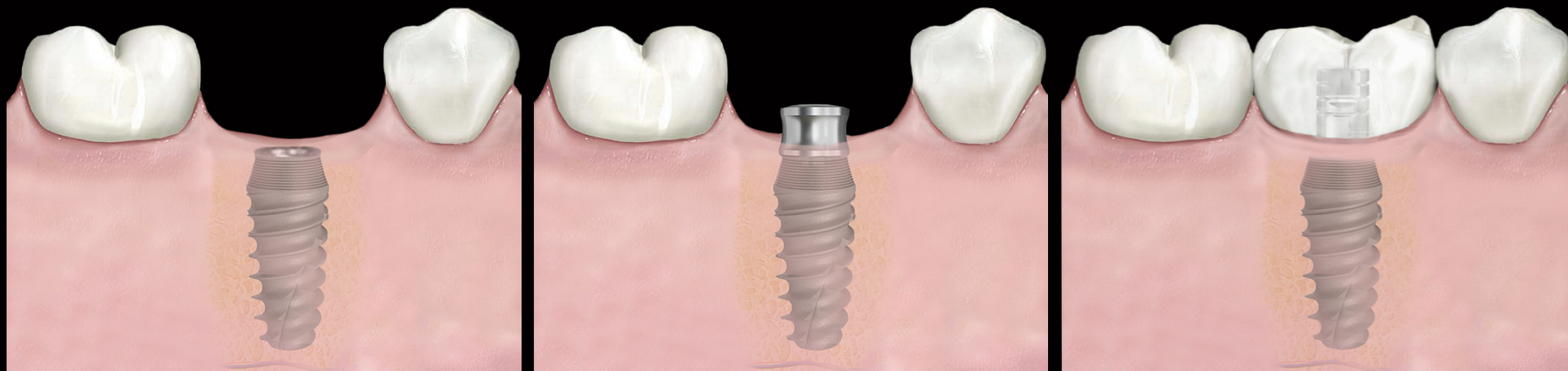
MPI-08600

MPI-10600

MPI-11600

MPI-13600

ULT™ MOLECULAR PRECISION IMPLANTS TREATMENT OPTIONS



2-STAGE SURGERY

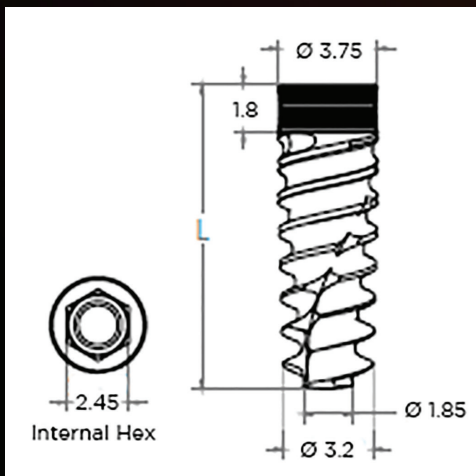


1-STAGE SURGERY



IMMEDIATE LOAD

ULT™ ULTIMATE PRECISION IMPLANTS



Ø 3.75 mm

ULT-07375

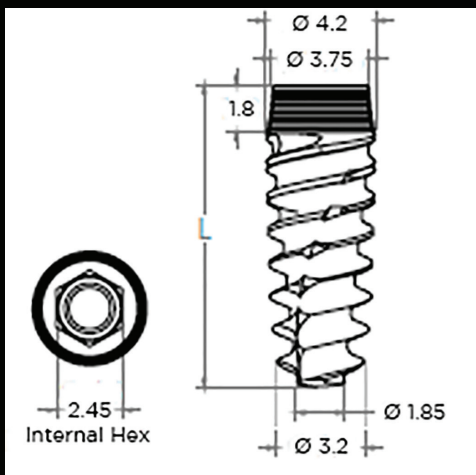
ULT-08375

ULT-10375

ULT-11375

ULT-13375

ULT-16375



Ø 4.2 mm

ULT-07420

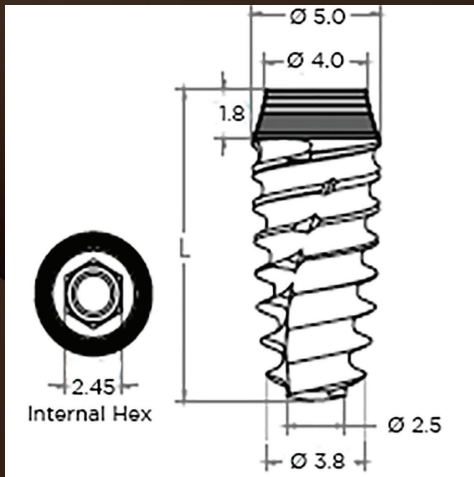
ULT-08420

ULT-10420

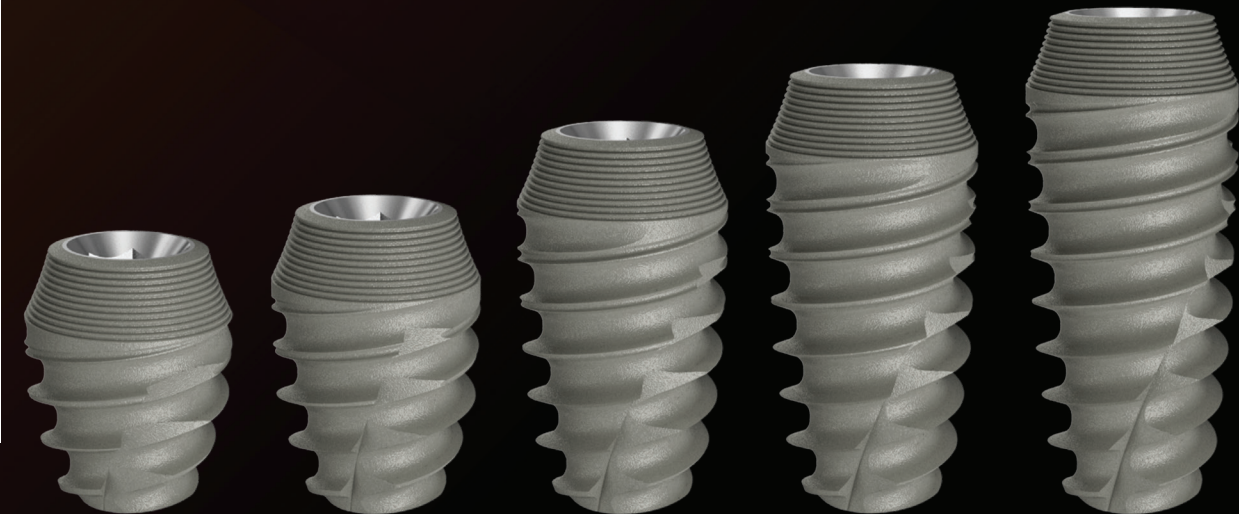
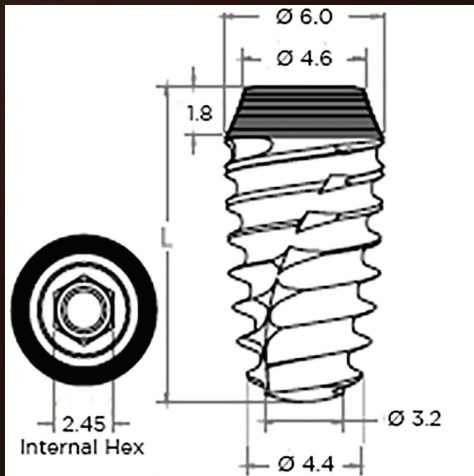
ULT-11420

ULT-13420

ULT-16420



Ø 5.0 mm ULT-06500 ULT-08500 ULT-10500 ULT-11500 ULT-13500 ULT-16500



Ø 6.0 mm ULT-06600 ULT-08600 ULT-10600 ULT-11600 ULT-13600

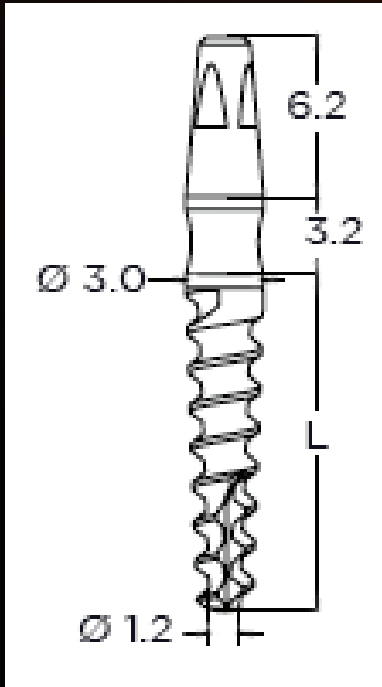
OPI™ ONE-PIECE IMPLANTS TREATMENT OPTIONS



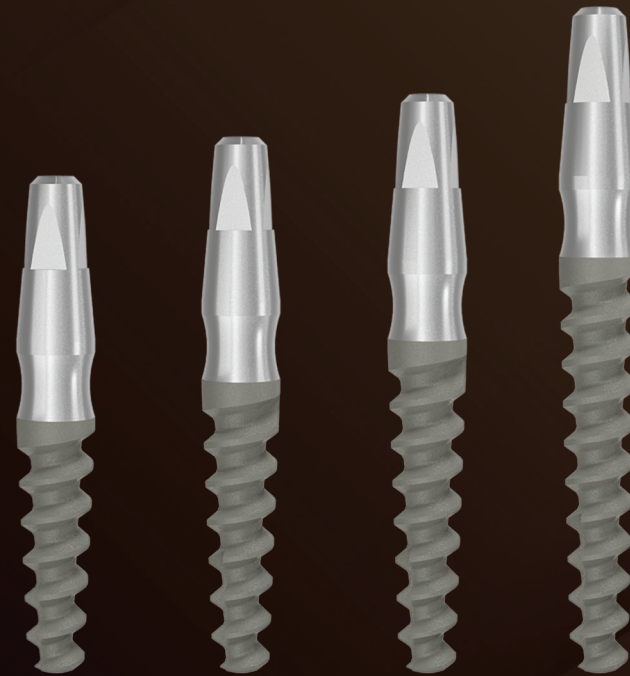
IMMEDIATE LOAD - Ø OPI 3.0 mm

IMMEDIATE LOAD - Ø OPI 3.3 mm

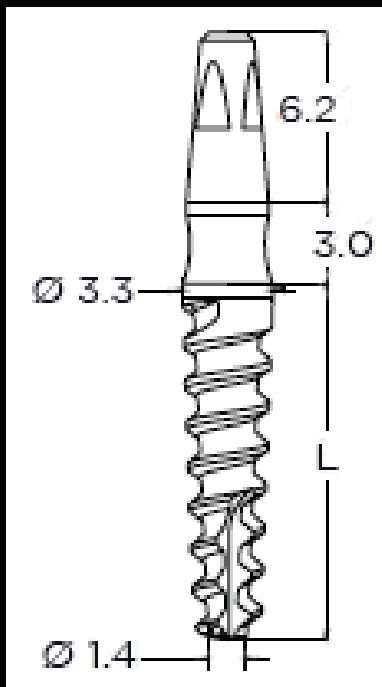
OPI™ ONE-PIECE IMPLANTS



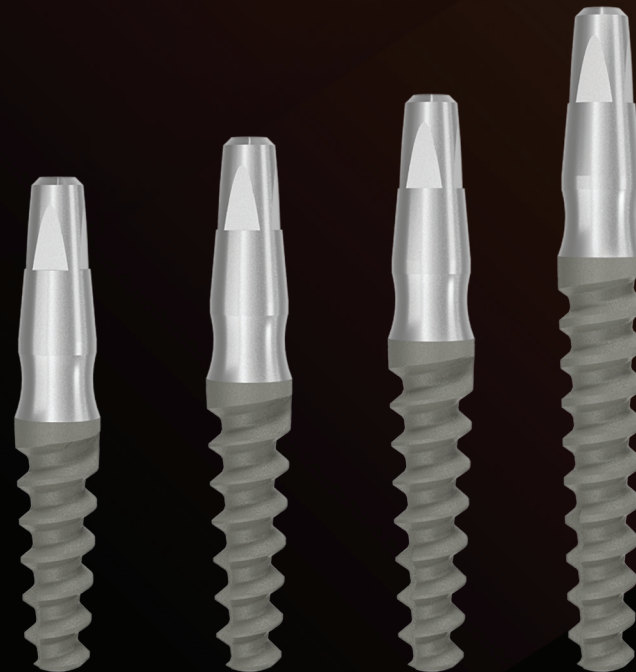
Ø 3.0 mm



OPI-1030 OPI-1130 OPI-1330 OPI-1630



Ø 3.3 mm



OPI-1030 OPI-1130 OPI-1330 OPI-1630

ORDER NOW

